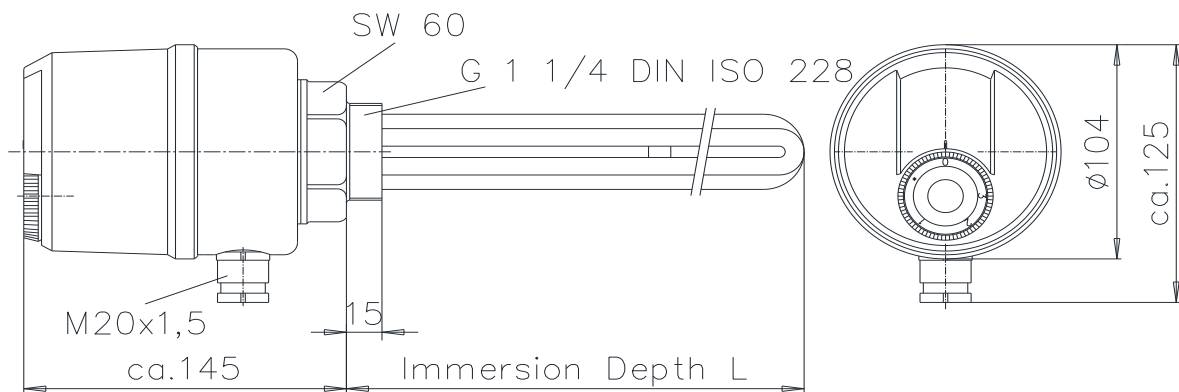


Türk+Hillinger Elektrowärme GmbH Dorotheenstr. 22 09212 Limbach-Oberfrohna	<b>Immersion Heater with Thermostat and Limitor</b>	St.Group: 10
		Artikel-Kurzbez.: EHK
<b>Insulated Model G 1 1/4"</b>		

### 1. Description

Immersion heater, consisting of 3 tubular heaters assembled onto a threaded nipple G 1 1/2, with protective tube for the thermostat mounted onto the nipple. The heaters are supplied with a protective cap and a combination of thermostat and limiter.

Drawing:



### 2. Technical Data

Voltage	230/400V~	400V~	400V~	400V~	400V~
Wattage	3KW	4,5KW	6KW	7,5KW	9KW
Immersion Depth L	260mm	360mm	480mm	550mm	660mm
No.of RHKs	3	3	3	3	3
Surface Load	11,2 W/cm <sup>2</sup>	11,0 W/cm <sup>2</sup>	10,0 W/cm <sup>2</sup>	10,4 W/cm <sup>2</sup>	10,0 W/cm <sup>2</sup>

7,5 and 9kW: open delta  
circuit; RCD required

Unheated Length	100mm
Temp. Thermostat	5°C bis 85°C
Temp. Limitor	110°C - 9K
Material screw	CuZn39Pb3
Housing	Polycarbonate
Material RHK	2.4858 / Incoloy 825
Ingression Protect.	IP64
Connection	Cable Gland M20x1,5 for cable diameter: 6mm - 12mm
Inst. Position	Horizontal
Features	LED signalling "heating" and Limitor resetting without disassembling housing
Art.-Nr.	1105418    1105419    1105420    1105421    1105422

Bearb.	03.07.17 Vo	Geänd.					<b>L1593</b>
Gepr.		Geänd.					