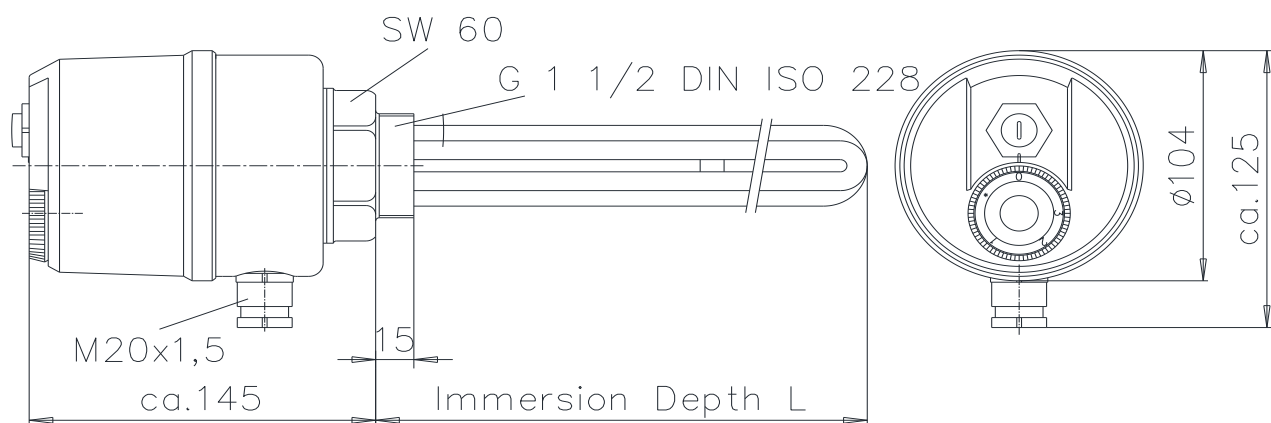


Türk+Hillinger Elektrowärme GmbH Dorotheenstr. 22 09212 Limbach-Oberfrohna	Immersion Heater with Thermostat and Limitor	St.Group: 10
		Artikel-Kurzbez.: EHK
Insulated Model G 1 1/2"		

1. Description

Immersion heater, consisting of 3 tubular heaters assembled onto a threaded nipple G 1 1/2, with protective tube for the thermostat mounted onto the nipple. The heaters are supplied with a protective cap and a combination of thermostat and limiter.

Drawing:



2. Technical Data

Voltage	230V~	230/400V~	400V~	400V~	400V~	400V~
Wattage	2KW	3KW	4,5KW	6KW	7,5KW	9KW
Immersion Depth L	310mm	260mm	360mm	480mm	550mm	660mm
No.of RHKs	1	3	3	3	3	3
Surface Load	9,1 W/cm ²	11,2 W/cm ²	11,0 W/cm ²	10,0 W/cm ²	10,4 W/cm ²	10,0 W/cm ²

7,5 and 9KW: open delta circuit; RCD required

Unheated Length	100mm
Temp. Thermostat	5°C bis 85°C
Temp. Limitor	110°C - 9K
Material screw	CuZn39Pb3
Housing	Polycarbonate
Material RHK	2.4858 / Incoloy 825
Ingression Protect.	IP64
Connection	Cable Gland
	M20x1,5 for cable diameter: 6mm - 12mm
Inst. Position	Horizontal
Features	LED signalling "heating" and Limitor resetting without disassembling housing

Art.-Nr.	1105340	1105341	1105342	1105343	1105344	1105345
----------	---------	---------	---------	---------	---------	---------

Bearb.	03.07.17 Vo	Geänd.					L1588
Gepr.		Geänd.					